



## Precision Imagery for Critical Applications

High Brightness / Multi-Channel

[ 26-inch Medical Grade LCD Color Monitor ]

# MLW-2627C-DC

Able to display two images and with a high brightness of 900cd/m<sup>2</sup>, the MLW-2627C-DC is a multifunctional model monitor provides a high-definition image with the color reproduction and functionality required in the medical field.

Pursuing the exceptional quality for medical applications

### High Luminance 900cd/m<sup>2</sup>

With a brightness of 900cd/m<sup>2</sup>, twice as bright as conventional monitors, the MLW-2627C-DC delivers a bright and high luminance image.

### Hyper Image Enhancer

By controlling the chromaticity, luminance, and edge enhancement of a specific color space, the MLW-2627C-DC is able to improve the reproduction of difficult areas within a picture.

### 10-bit IPS Panel with LED Backlight

This monitor is fitted with a high brightness IPS panel with a wide viewing angle of 178 degrees up/down and left/right. The energy saving LED backlight panel reduces power consumption. It includes 12-bit signal processing and a 10-bit LCD panel, supporting smooth gradation.

### Dynamic Image Contrast Enhancer

By calculating the brightness of the entire screen and extending the dynamic range between white and black in real time, automatically optimized black level and high contrast are achieved.

Variety of friendly features

**Multi-channel Function with Side-by-Side and Picture-in-Picture**

The input signal can be displayed simultaneously with side-by-side or picture-in-picture display modes.



■ Side-by-side



■ Picture-in-picture

**Signal Combinations**

	Video	S-Video	HD15 (D-sub15p)	DVI-1	DVI-2	SDI-1	SDI-2
Video	—	—	○	○	○	○	○
S-Video	—	—	○	○	○	○	○
HD15 (D-sub15p)	○	○	—	○	○	○	○
DVI-1	○	○	○	—	○	○	○
DVI-2	○	○	○	○	—	○	○
SDI-1	○	○	○	○	○	—	○
SDI-2	○	○	○	○	○	○	—

**User Preset Memory**

It has a user preset function for easy setting and adjusting of the display mode and setup of image adjustment. Up to eight settings can be saved as a preset, and recalled when needed.

**Function Key**

For convenient use, a frequently used function can be assigned to the Function key to select instantly.

**Flip Function**

Images can be flipped horizontally and vertically.



**Still Image**

It is possible to compare with a saved still image against the current live video. The input video and memorized still image can be compared on the screen.

**Touch switch**

A touch switch is fitted for easy operation.

\* The picture is a composite image.

**Specifications**

LCD Panel Size	26-inch
Backlight System	LED
Display Size	576(H) x 324(V)mm
View Angle	178°(up&down / left&right)
Maximum Brightness	900cd/m <sup>2</sup> (Typical)
Contrast Ratio	1400:1 (Typical)
Pixels	1920(H) x 1080(V)
Color Gradient	1,073,740,000
<b>VIDEO Input</b>	
Signal and Connector	composite (VBS) 1CH:BNC (with loop through) Y/C (S-VIDEO) 1CH:S terminal (with loop through)
<b>RGB/Component Input</b>	
Signal and Connector	R,G,B or Y,Pb,Pr 1CH:HD-15 [D-Sub 15pin] (with loop through)
<b>DVI Input</b>	
Signal and Connector	DVI-D (equipped with cable compensation equipment:Max.30m) 2CH:DVI-D 24pin Max. clock 162MHz (with loop through 1CH)
<b>SDI Input</b>	
Signal and Connector	3G-SDI (Level A)/HD-SDI/SD-SDI 2CH:BNC (with loop through 2CH)
DC5V Output	1A output
Safety Approval	ANSI/AAMI ES60601-1, CSA C22.2 No. 60601-1, EN60601-1, GB4943.1-2011
EMC	FCC Class A, VCCI Class A EN60601-1-2, GB9254-2008 (Class A) GB17625.1-2012
Power Requirement	Monitor : DC 24V ±1V AC adapter : 100 to 120V/200 to 240V
Power Consumption	100W or less
Ambient Temperature	+5°C to +35°C
Dimensions	W640 x H405 x D84mm (excluding protrusions)
Weight	approx. 8kg (excluding stand)

**Available Display Signal for DVI-D/HD15 (D-Sub15p)**

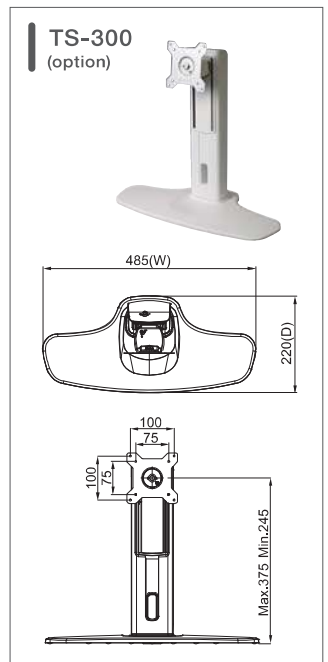
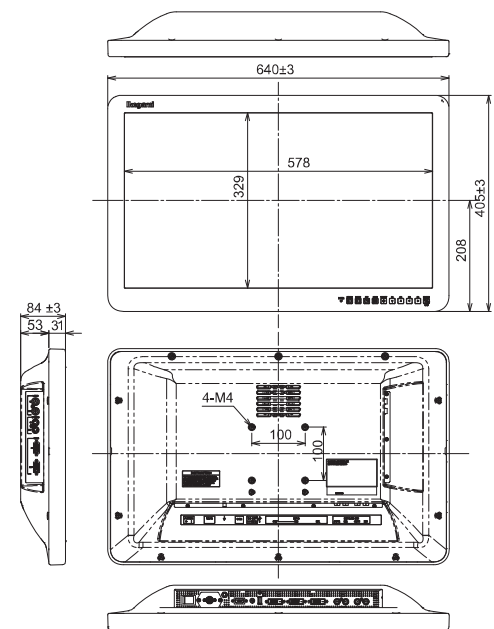
DVI-D	VGA, SVGA, XGA, SXGA, WUXGA 480i/60, 575i/50, 1080i/60, 1080i/50, 720P/60, 720P/50, 1080P/60, 1080P/50
HD15 (D-Sub15p)	VGA, SVGA, XGA, SXGA, WUXGA 480i/60*, 575i/50*, 1080i/60*, 1080i/50*, 720P/60, 720P/50, 1080P/60, 1080P/50

\*Available for only G-Sync

**Connectors**



**Dimensions (mm)**



Design and specifications are subject to change without notice.



U377A172-EU

**Ikegami Tsushinki Co.,Ltd.**

■ URL : <http://www.ikegami.co.jp/en/>

■ Head Office : 5-6-16 Ikegami, Ohta-ku, Tokyo 146-8567, Japan ----- TEL.+81-(0)3-5700-1111 / FAX.+81-(0)3-5700-1137  
 ■ Overseas Sales Division : 5-6-16 Ikegami, Ohta-ku, Tokyo 146-8567, Japan ----- TEL.+81-(0)3-5700-4117 / FAX.+81-(0)3-5748-2200  
 ■ Beijing Office : Room No.307 Tower B, Jia Tai International Mansion No.41East Fourth Ring Road, Chaoyang District, Beijing China -- TEL.+86-(0)10-85710350 / FAX.+86-(0)10-85711804

**Ikegami Electronics (U.S.A.), INC.**

■ URL : <http://www.ikegami.com>

■ Headquarters: 300 Route 17 South, Mahwah, NJ 07430, U.S.A. ----- TEL.+1-201-368-9171 / FAX.+1-201-569-1626

**Ikegami Electronics (Europe) GmbH**

■ URL : <http://www.ikegami.de>

■ Headquarters : Ikegamistraße 1, D-41460 Neuss, Germany ----- TEL.+49-(0)2131-1230 / FAX.+49-(0)2131-102820

**Ikegami Electronics Asia Pacific Pte.Ltd.** ■ URL : <http://sg.ikegami.co.jp>

■ Headquarters : 1 Tampines Central 5, #06-04 CPF Tampines Building, Singapore 529508 ----- TEL.+65-6260-8820 / FAX.+65-6260-8896

