

Ikegami

ISD-A14

Hyper Wide Light Dynamic
Mini Cube Color Camera



HYPER HD DYNAMIC

As the newest addition to the Ikegami Hyper Dynamic Camera Series, Model ISD-A14 features an extremely wide light dynamic range, high sensitivity and high resolution enabled by a 1/3-inch Pixim Seawolf sensor and Ikegami's digital processing technology. It is a Hyper Wide Light Dynamic Range Mini Cube Camera that reproduces a clear and natural image even in locations where there is a significant difference in the intensity of illumination, such as window areas, or in lobby entrance of building.

ISD-A14 comes with a compact cube body, giving it the flexibility for a broad array of locations and equipment, such as ATM machines and outdoor housings.

FEATURES

Hyper Wide Light Dynamic Range (Hyper WDR)



The Hyper WDR function provides for very effective compensation of high light and dark areas in screen. This situation may occur generally outside or viewing from indoor to outside scenes. Even in large light fluctuations, bright-and-dark objects can be captured and viewed clearly with a natural color.

Scene File Function (4 positions)

Along with a normal setting (NORMAL), 4 position scene file (preset file) for each particular scene is provided. Using this function enables an easy setup suitable for a scene without any special adjustment.

Compact Body of Super Cube

This camera comes with a compact cube body, that is suitable for the locations such as ATM machines.



High-quality Picture and High Resolution



The camera is designed for smear-free imaging and low noise. The well-designed DSP, Digital Signal Processor, effectively enhances details, which achieves crisp and sharp images with a high signal-to-noise ratio. The high resolution of a horizontal resolution of 520TVL (690 HTVL-Effective) is assured.

Control Board for Local Setup (Option)

SUT-A14 Control Board for local setup is available as an option.



ISD-A14 Hyper Wide Light Dynamic Mini Cube Color Camera

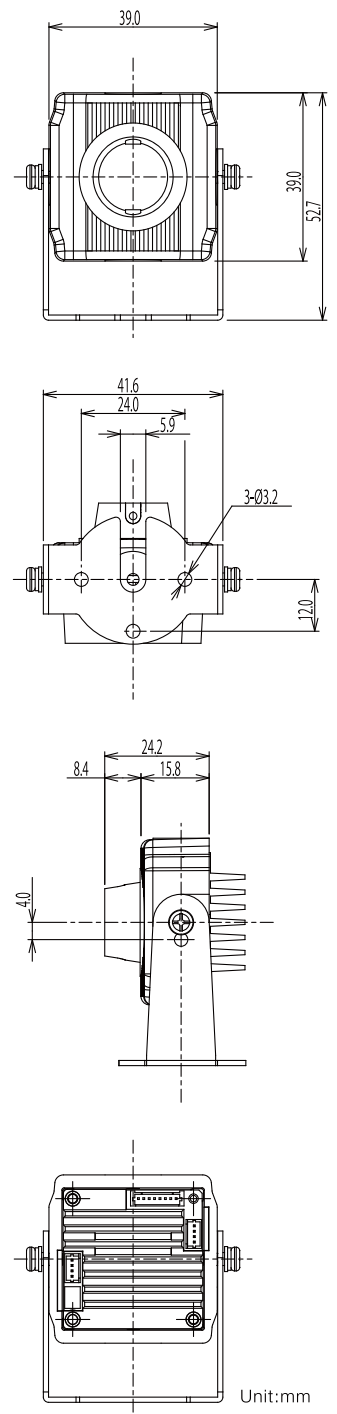
Specifications

Image Sensor	1/3-inch DPS CMOS sensor
Pixel Number	Approx. 410,000 pixels, 768 (H) x 540 (V)
Scanning System	NTSC: 525 TV lines/59.94 Hz, 2 : 1 interlaced PAL: 625 TV lines/50 Hz, 2 : 1 interlaced
Sync System	Internal Sync (Crystal Lock)
Video Output	VBS 1.0 Vp-p/75 ohms
Horizontal Resolution	520 TV lines (690 HTVL-Effective)
S/N Ratio	50 dB (p-p/rms) or better
Minimum Illumination	ISD-A14-25: 1.0 lx/F2.5 (AGC ON, 50IRE) ISD-A14-29: 0.6 lx/F2.0 (AGC ON, 50IRE) ISD-A14-36: 0.6 lx/F2.0 (AGC ON, 50IRE)
Wide Dynamic Range	Built-in, and Variable
AGC	ON (AGC, HYPER-AGC) / OFF (LOW, MID, HIGH), selectable
Electronic Sensitivity Control	Built-in, ON (AUTO) / OFF selectable (Maximum 32 times)
White Balance Control	ATW/ATWex/AWC/MANU, selectable
Detail Correction	Built-in
Digital Noise Reduction	Built-in, On / OFF selectable (DNR Function)
Color Rolling Reduction Function	Built-in, On / OFF selectable (CRR Function)
Privacy Masking	Built-in (Maximum 8 zones)
Monitor Output Selection	Built-in, CRT / LCD Selectable
Camera ID	Up to 24 characters (alphanumeric and symbols)
Remote Setup Function	Available (with an optional Remote Setup Unit)
Lens Mount	M12 Mount

Lens M12 Fixed Focal Length Lens (f2.5mm/f2.9mm/f3.6mm)

Model	Mount	Focal Length (f)	Maximum Aperture Ratio (F)	Viewing Angle (H)	Viewing Angle (V)
ISD-A14-25	M12	2.5mm	2.5	113.4°	85.9°
ISD-A14-29	M12	2.9mm	2.0	96.0°	71.0°
ISD-A14-36	M12	3.6mm	2.0	63.0°	53.0°

Power Requirement	DC12V ±10%
Power Consumption	1.6W
Operating Temperature and Relative Humidity	-10 to +50°C (13.5 to 122°F), RH 30 to 90% (No Condensation)
Dimension (W x H x D)	39.1 x 39.1 x 32.5 mm (1.54x1.54x1.28 inches), excluding protrusions
Weight	80g (Approx. 0.18 lbs)
Input/Output Connectors	VIDEO OUT -- BNC DC12V -- DC jack (applicable plug ø5.5 x 2.1mm, Center plus)
Standard Accessories	Instruction Manual, Power and Video Combined Cable



* Specifications and design are subject to change for product improvements without notice.

Design and specifications are subject to change without notice.

Ikegami Tsushinki Co.,Ltd.

■ URL : <http://www.ikegami.co.jp/en/>

■ **Head Office** : 5-6-16 Ikegami, Ohta-ku, Tokyo 146-8567, Japan TEL.03-5700-1111 / FAX.03-5700-1137
 ■ **Overseas Sales Division** : 5-6-16 Ikegami, Ohta-ku, Tokyo 146-8567, Japan TEL.03-5700-4117 / FAX.03-5748-2200
 ■ **Beijing Office** : No.417 Jia Tai International Mansion, No. 41 East Fourth Ring Road, Chaoyang District, Beijing, China TEL.010-85711804 / FAX.010-85711804

Ikegami Electronics (U.S.A.), INC.

■ URL : <http://www.ikegami.com>

■ **Headquarters** : 37 BROOK AVENUE, MAYWOOD, NJ 07607 TEL.(201) 368-9171 / FAX.(201) 569-1626

Ikegami Electronics (Europe) GmbH

■ URL : <http://www.ikegami.de>

■ **Headquarters** : Ikegami Strasse 1, D-41460 Neuss, Germany TEL.02131-1230 / FAX.02131-102820
 ■ **U.K. Branch** : Unit E1 Cologne Court, Brooklands Close, Windmill Road, Sunbury-on-Thames, Middlesex TW16 7EB, England TEL.01932-769700 / FAX.01932-769710

U234A126-IB

